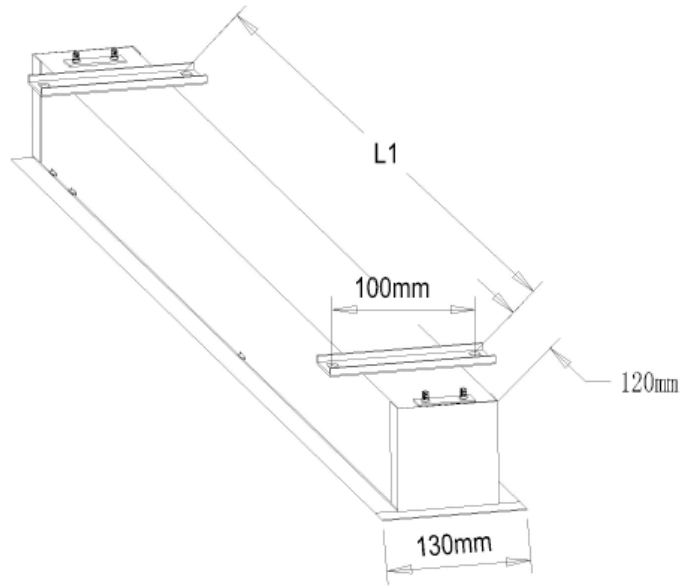


## Screen Casing Dimension



Format	Size	Distance between two brackets(L 1)	Bracket to the end of the case
16:9	92"	1990mm	120mm
16:9	106"	2295mm	120mm
16:9	120"	2625mm	120mm
16:9	135"	2995mm	120mm
16:9	150"	3339mm	120mm
4:3	100"	1990mm	120mm
4:3	120"	2316mm	120mm
4:3	135"	2755mm	120mm
4:3	150"	3060mm	120mm

The screen flange or metal flange is the 20mm wide all around the screen



# In Ceiling Motorized Projection Screen

## Product Manual

## Parts List



Ceiling Mounting Bracket, QTY 2



2 Remotes, IR and RF



Wall Control Panel



Concrete Expansion Bolts, QTY 4

Washers, QTY 8

1 Meter Long Steel Threaded Rods 8MM diameter, QTY 4

Nuts, 8MM diameter, QTY 16

5M Low Voltage Wire for Wall Control Panel

3M Low Voltage 12V Trigger Wire

1 Yellow Wand for Limit Switch Adjustment

### To the Owner

Thank you for purchasing our line of screens, using our excellent screen materials and design, to give you years of trouble free enjoyment. Please take a moment to read this user manual before installation to avoid any potential issues.

## Controller Diagram



Wall Switch Connector

12V Trigger Connector

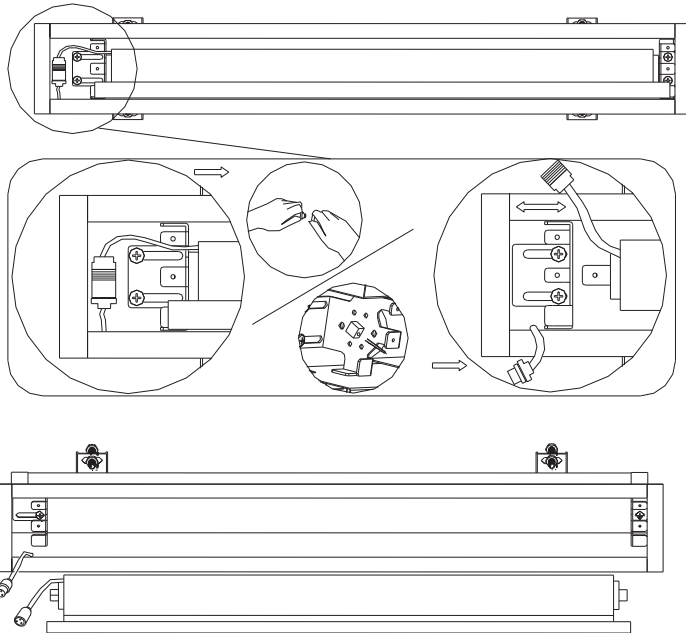
Program Button

### Note:

1. The remote must be within the effective range of the IR or RF sensor.
  2. Receiver will go to original state within 10 seconds if no action is taken.
  3. Only total of 20 IR or RF remotes can be programmed to the receiver.
  4. The maximum continuous operation time of the motor is 5 min.
- To add a remote to the controller or reprogram your controller:  
Press program button, the signal LED will flash, then press the remote's up button, the LED will stop flashing. The programming has finished.
- To reset:  
Press the program button for more than 4 seconds, the LED will flash, press the program button once within 6 seconds, all codes are now deleted

## Dismounting the Screen Roller Procedure

Unplug the electrical connection where the roller joins to the control box. There are four screws that hold the roller to the screen casing. Hold the screen up while loosening the final screws.



## Setting the limit switch



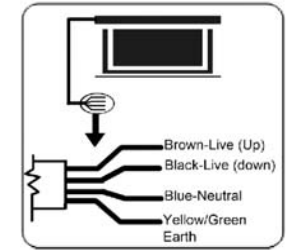
There are two limit switches with the screen. The Up Limit Switch and the Down Limit Switch. The up limit switch comes preset from the factory - **DO NOT TOUCH IT** as turning it in the wrong direction could damage the screen. The down limit switch is yellow and the up limit switch is grey. To make the screen go up, turn the limit switch counter-clockwise, this is true on both limit switches.

## Electrical Specification

Voltage: 100V-120V, 60Hz

Power: 130W (MAX)

The Power cords comes out of the left side of the screen when looking at it from the front



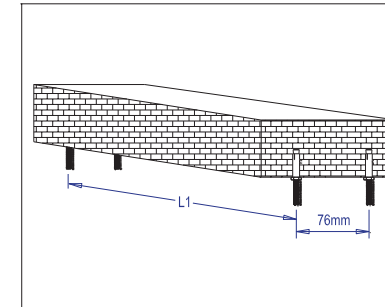
## Installation Procedure

This procedure is designed as a general guide on how to install the screen. Different circumstances may require different installation methods. EluneVision recommends that installation is left to installation professionals.

It is recommended that the screen is anchored onto a concrete ceiling or joists for safe operation using 8mm screws/anchors.

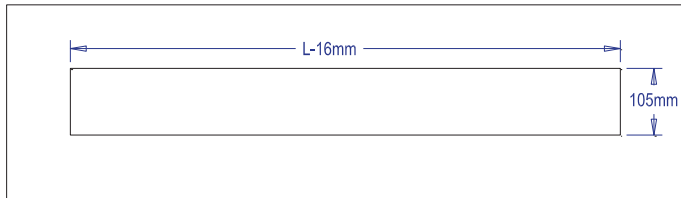
Ceiling Mounting:

Use the ceiling mounting brackets as a guide to locate where to place the concrete anchors. Make sure the anchors go into the ceiling vertically.

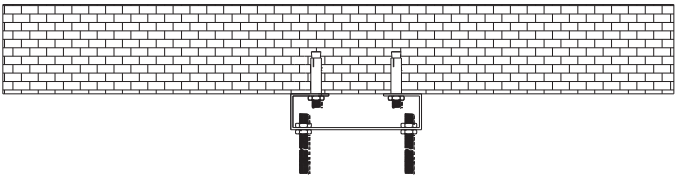


## Installation Procedure

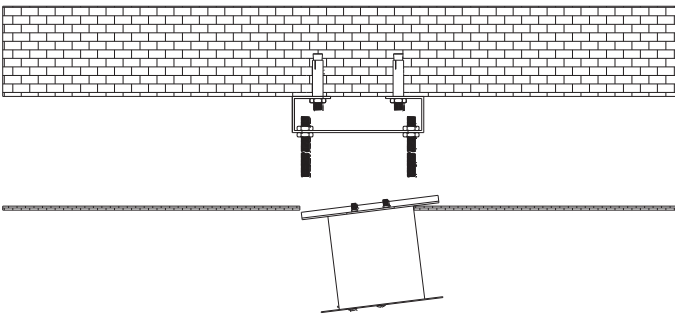
Ceiling Opening Needed:



Install ceiling mounting brackets as shown in the diagram below. Use the 1M threaded steel rods to attach the screen housing to the ceiling bracket.

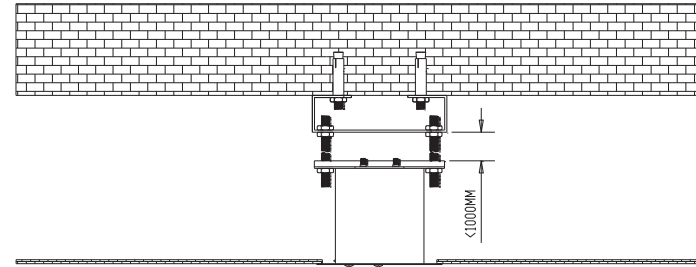


Insert the screen into the ceiling opening by tilting the screen at a 45 degree angle.



## Installation Procedure

Attach the screen to the ceiling, as shown in the diagram below, and use the 8mm nuts that come with the screen. Make the ceiling bracket lines up with the screen and everything is properly fixed.



## Procedure for Dismounting the Screen Roller

It is possible to dismount the screen roller from the screen housing by taking off the ceiling plate by first unscrewing two screws on either side of the ceiling plate.

