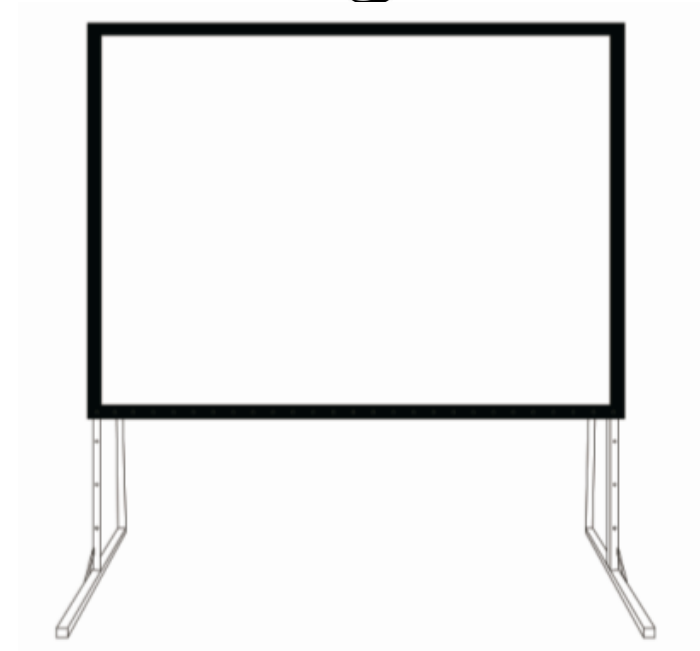




User Manual

Fast



- Good clear picture quality
- Exquisite design
- Easy to use

Thank you for choosing our screen. Please read through these instructions before using the product.

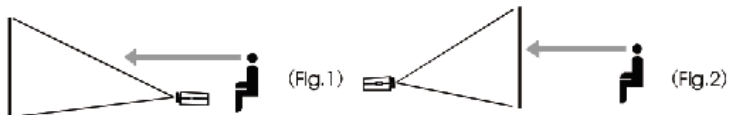
Thank you for choosing our screen. Please read through the user manual before using the screen. Correct usage and maintenance could insure a longer life for the product.

User instructions

- When setting up the projection screen, care must be taken to distinguish between the front and the back of the screen fabric. Front or rear projection screen could be identified by the card which hangs on the corner of the fabric screen or in the screen fabric bag.
- Dust, dirt and scratches on the projection area will affect the picture quality. Take note of the points below to prevent this.
 1. Do not touch the projection area with hands.
 2. Do not write or draw on the projection area.
 3. Do not use fingers or sharp objects to point on the projection area, this will damage the screen fabric.
 4. Use a soft damp cloth or soft brush to clean the projection area.
 5. Do not use chemical cleaning agents or alcohol to clean the projection area. Use clean water only.
- After using the screen, disassemble and store it in the aluminum storage box provided.
- The screen should only be operated by adults to avoid accidental damage and injury.

Product Description

- **Design:**
The Aluminium frame is designed to be light weight and easily operated. This makes it easy to carry, assemble and disassemble.
- **Screen fabric:**
The screen fabric is attached to the rectangular frame and held in place by several snap buttons which ensure an evenly stretched and perfectly flat surface. Both types of fabric are durable and can be folded many times without any damage and the distortion rate of frame is less than 1%.
- **Assembly:**
The screen can be assembled in short period depends on the size and without the use of tools. The screen should be stored in an impact resistant Aluminium storage box when it is not in use.
- **Ideal for:**
Business meetings, churches, schools,
Family centers and industrial training rooms.
Correct use of the projection screen will ensure better results.
For front projection assemble and view the screen as indicated in fig.1
For rear projection assemble and view the screen as indicated in fig.2



Content and accessories list: When unpacking the screen, check that all the parts from the appropriate list are there.

Use the parts as instructed by the user manual.

(Parts list)250 inches

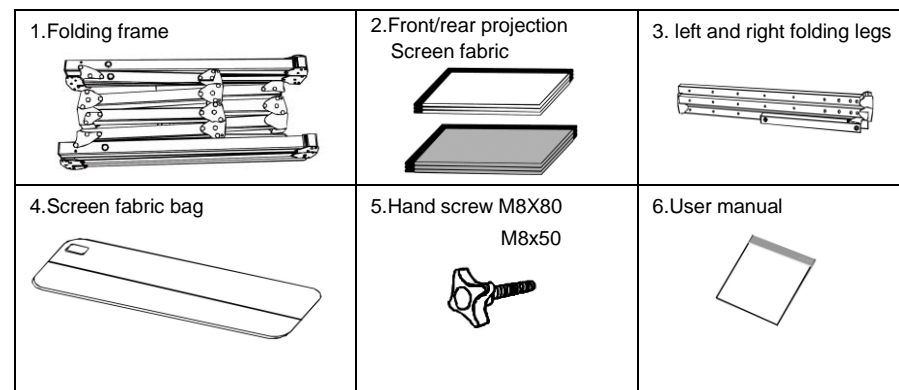
Specified screen size(inches)	250		
Part	Part number	Quantity	Unit
Screen fabric	2	1/2	Pcs
Folding legs	3	2	Pcs
Screen fabric bag	4	1/2	Pcs
Hand screws M8X80	5	12	Pcs
Hand screws M8X50	5	2	Pcs
User manual	6	1	Pcs
QC PASS	7	1	Pcs
Fabric bag carton box	8	1/2	Pcs
Aluminum storage box	9	2	Pcs
Folding frame	10	2	Pcs
Connecting pole	11	4	Pcs
Hand screw M8X16	12	16	Pcs


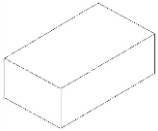
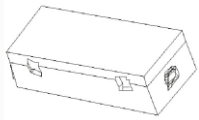
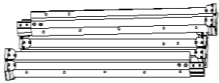
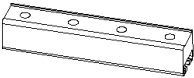
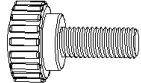
(Parts list)100 inches-200 inches

Specified screen size(inches)	100, 120, 150, 180, 200		
Part	Part number	Quantity	Unit
Folding frame	1	1	Pcs
Screen fabric	2	1	Pcs
Folding legs	3	2	Pcs
Screen fabric bag	4	1	Pcs
Hand screws M8X50	5	8/10	Pcs
User manual	6	1	Pcs
QC Pass	7	1	Pcs
Fabric bag carton box	8	1	Pcs
Aluminum storage box	9	1	Pcs

Note:The part lists above are subject to change without prior notice.

Parts diagram

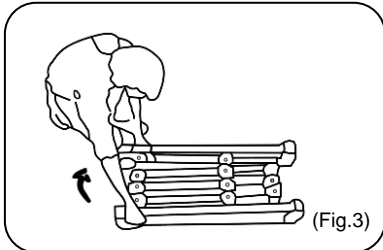


<p>7.QC PASS</p> 	<p>8.Fabric bag carton box</p> 	<p>9. Aluminum storage box</p> 
<p>10. Folding frame</p> 	<p>11. Connecting pole</p> 	<p>12.Hand screw M8X16</p> 

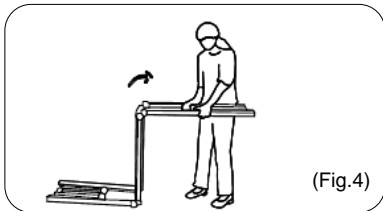
Note:the part diagrams above are subject to change without prior notice.

Assembly instructions

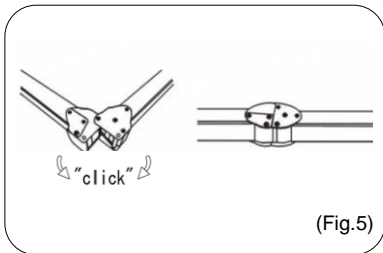
3



1.Take the frame out of the box and place it on a flat surface. Unfold the longer sections first.(Fig.3+4)



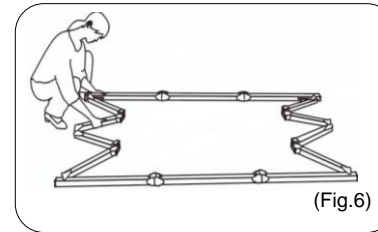
(Fig.4)



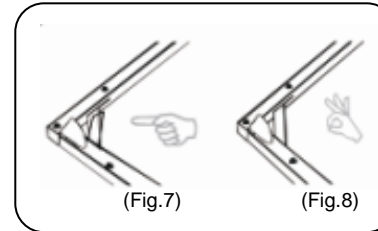
2.Unfold the frame until the latch on the hinge "clicks" into place. Repeat the procedure for the shorter sections.

(Fig.5+6)

Assembly instructions



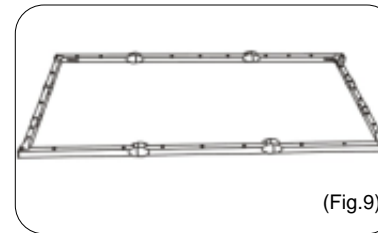
(Fig.6)



(Fig.7)

(Fig.8)

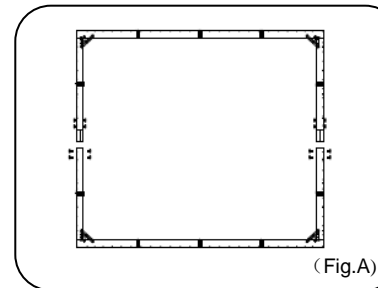
3.Make sure all 4 corners of the frame are at 90° and the hinged support bar is straight and not bent.(Fig.7-9)



(Fig.9)

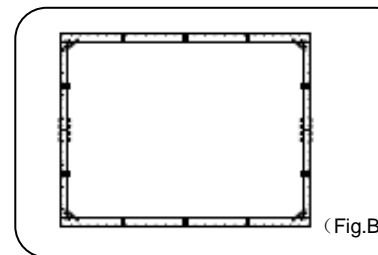
4

250" Assembly instructions



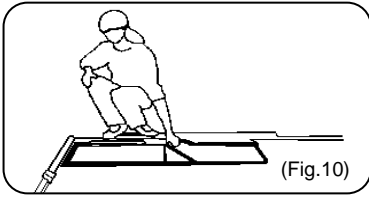
(Fig.A)

Attach the upper frame to the lower frame and fasten two frames with M8X16 screws. (Fig.A-B)



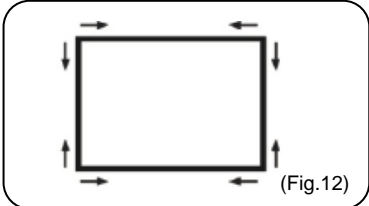
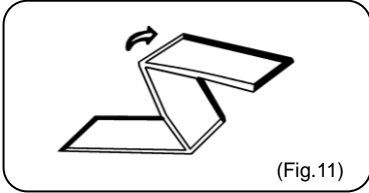
(Fig.B)

Assembly instructions

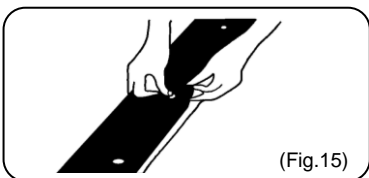
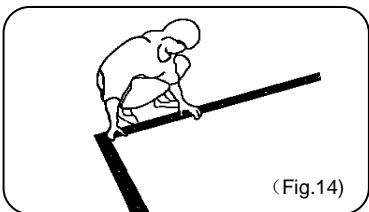
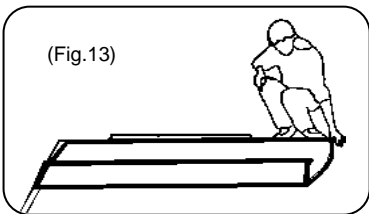


4. Take the screen fabric out of the bag and put it inside the frame next to the corner.

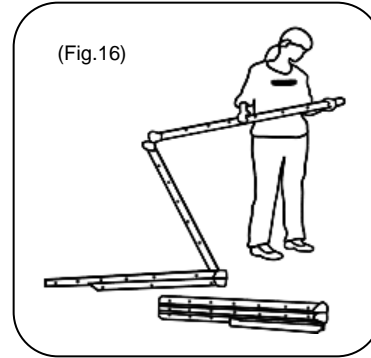
Unfold as shown in the diagram.
(Fig.10+11)



5. Once the screen fabric is fully unfolded, secure it to the frame by the press studs. secure the press studs in the order shown in Fig.12-15.



Assembly instructions

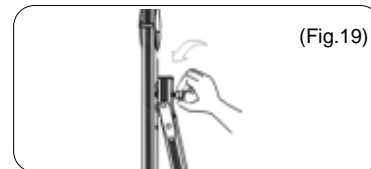
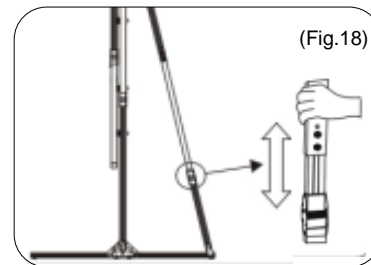


6. Take the folding legs out of the box and Unfold as shown in Fig.16, and make sure the hinges click into place.

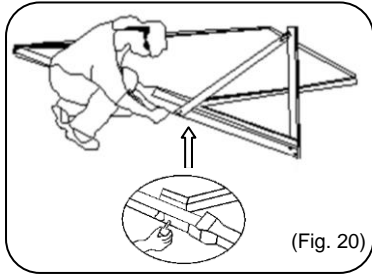


7. Once the legs are locked in place, use the hand screws to secure the support leg to the vertical leg in an appropriate position.

The support leg can be adjusted to an appropriate length. If the frame is attached to the legs higher up then the support leg should also be attached higher up. (Fig.17+19)

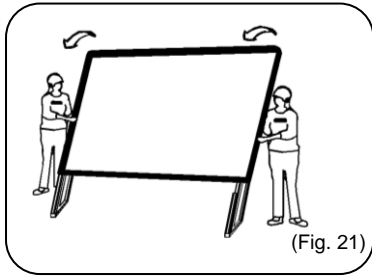


Assembly instructions

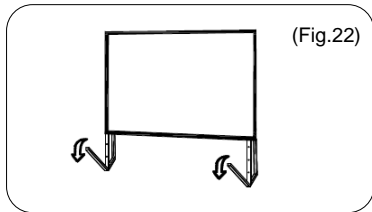


(Fig. 20)

8. Lay the frame on the floor and position the legs over the sides of the frame. Use the hand screws to attach the frame to the legs just little before tighten two sides of them firmly. (Fig.20+21)

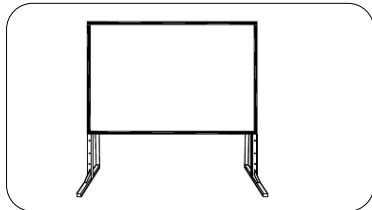


(Fig. 21)

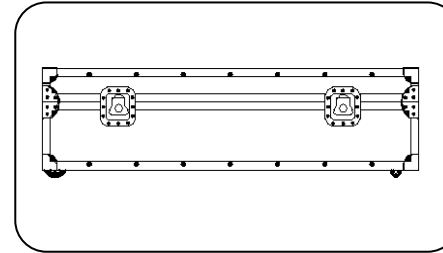


(Fig.22)

9. When the frame is in the vertical position, fold the front facing feet of the legs out. Assembly is completed and the projection screen will be stable on a flat surface.(Fig.22)







Assembly instructions



10. After using the screen, disassemble the screen and store it in the box provided. To disassemble the screen, implement the assemble procedure in reverse order.

Safety Notice

 <p>Warnin</p> <p>Misuse of the screen may cause damage to the screen, or injury to persons.</p>	 <p>Notice</p> <p>The projection screen must be set up on a stable surface where there is sufficient space. Failure to do so may cause the screen to fall over causing damage to the screen and injury to persons.</p>
 <p>Do not climb on the screen</p> <p>Do not hang things from the screen or climb on it. Doing so may cause the screen to fall off and damage the screen and cause injury.</p>	 <p>Warnin</p> <p>After using the projection screen Disassemble the screen and store it in the aluminum storage box provided. This will protect it from dust, dirt and accidental damage.</p>

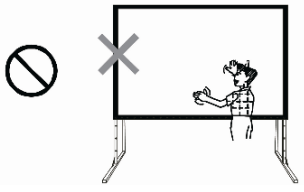
Note: If the screen is faulty or is damaged in any way. Do not try to repair the projection screen yourself. Contact customer service to arrange it to be repaired.

The projection screen parts and specifications are subject to change without prior notice.

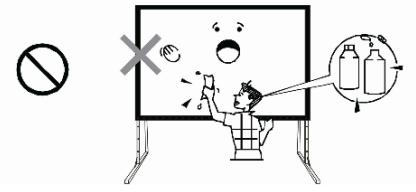
2. Unfold the frame until the latch on the hinge "clicks"

Notice

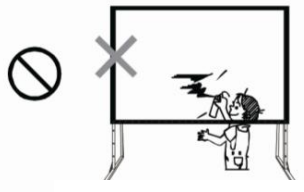
Do Not



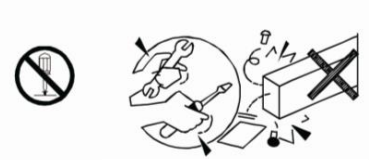
Do not touch the projection area with hands



Do not use chemical cleaning agents to clean the projection surface

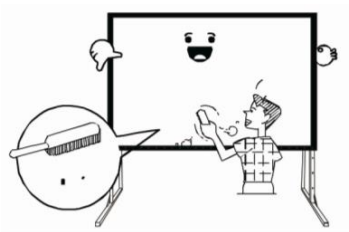


Do not draw or write on the projection surface

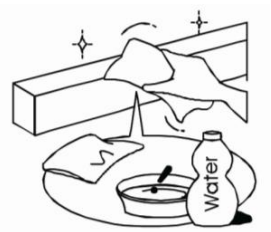


Do not disassemble the screen



Correct



Use a soft damp cloth or soft brush to clean the projection surface.



Use water and a soft cloth to clean the screen.



After using the screen, disassemble the screen and store it in the box provided.

