



**User Manual for
Atlas
Manual Screen**



To the purchaser:

Thank you for purchasing our Atlas manual projection screen with CSR. This screen is design to give you years of trouble free enjoyment. Please take a moment to read this manual before installing.

Safety guide:

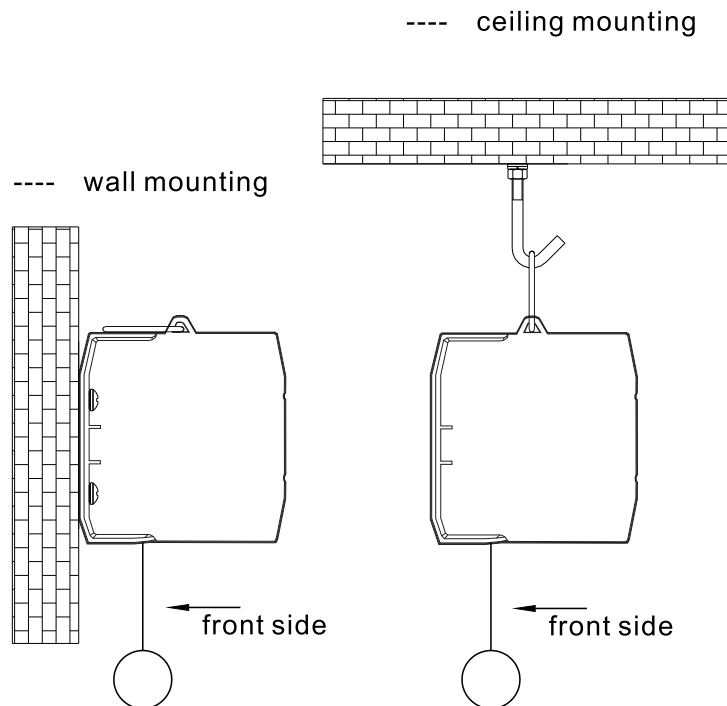
When assembling, please DO NOT stand directly under the screen to avoid personal injury. Ensure the Expansive bolts and hanging hardware are firmly attached and fixed to the wall or ceiling.

Specification:

1. Our exclusive patented CSR buffer slows the projection screens return into the housing
2. Patented self locking mechanism with advance bearing design. Stops the screen in any position.
3. Easily mountable to both wall and ceiling.
4. Flat screen surface with flame retardant and mildew resistant material.

1.Assemble:

- ①. Please open the packaging and check you have all the listed accessories.
- ②. Refer to the following assembly instructions.
- ③. Keep the screen in a horizontal and level position while mounting.

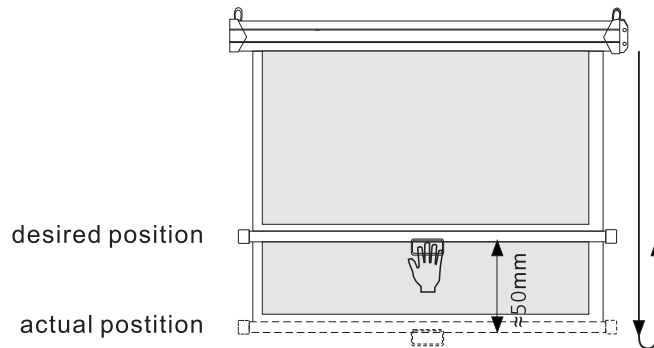


2.Adjustment & Operation:

Opening the screen

Pull down the screen slowly stopping (50mm) just past the desired position and then hold and release. The screen will self lock.

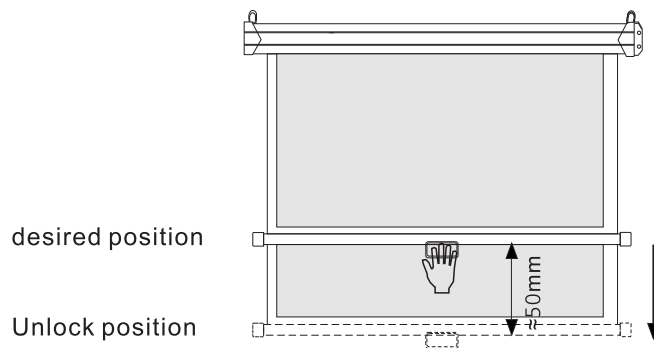
*When the standard amount of black drop appears. DO NOT over extend the fabric to avoid damaging your screen.



Retracting the screen

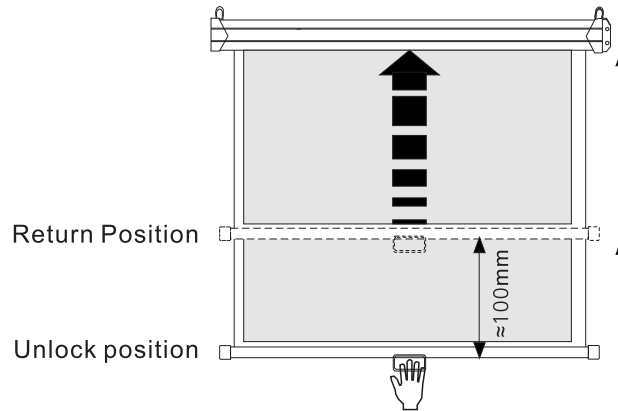
Unlocking

After usage, pull down the screen about 50mm, the screen will unlock automatically.



Constant Speed Motion: CSR

After unlocking the screen, pull down about 100mm then release, the screen will slowly return to the Housing



3. Screen care



Clean with a soft moistened cloth with water or water and mild liquid soap only. Don't use alcohol or abrasive detergents as this will damage the screen surface.

Parts	Ash	Impurity
Casing	Clean with feather duster	Clean with mild soap solution then dry with soft cloth. Be careful not to scratch the casing
Fabric	Clean material with feather duster	Brush with cotton cloth

Remark:

1. Do not scratch or fold up the fabric.
2. After usage, please check again there are no other foreign objectives on the screen surface and then draw back the fabric into the case.

4. Accessories

Name	Picture	Quantity
Self Tapping Screw		5
Pastic Wall Anchor		5