

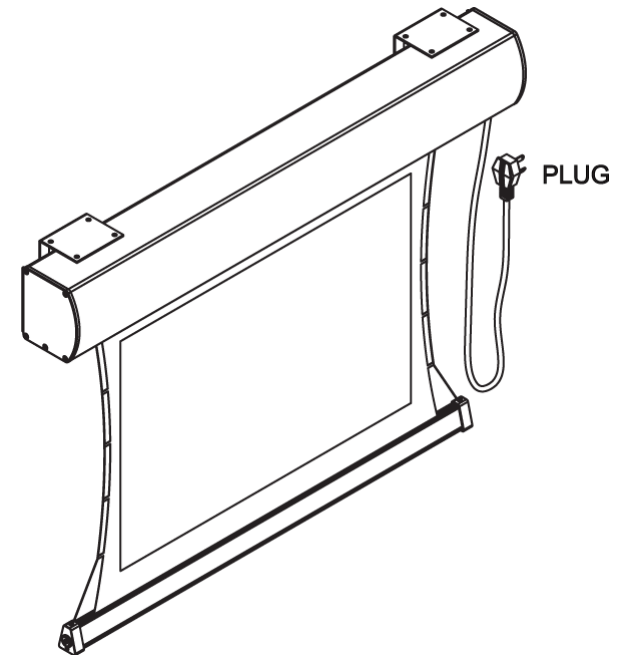
To the Owner

Thank you for purchasing our Titan Tab Tension screens, using our excellent screen materials and design, to give you years of trouble free enjoyment. Please take a moment to read the user manual before installation to avoid any potential issues.

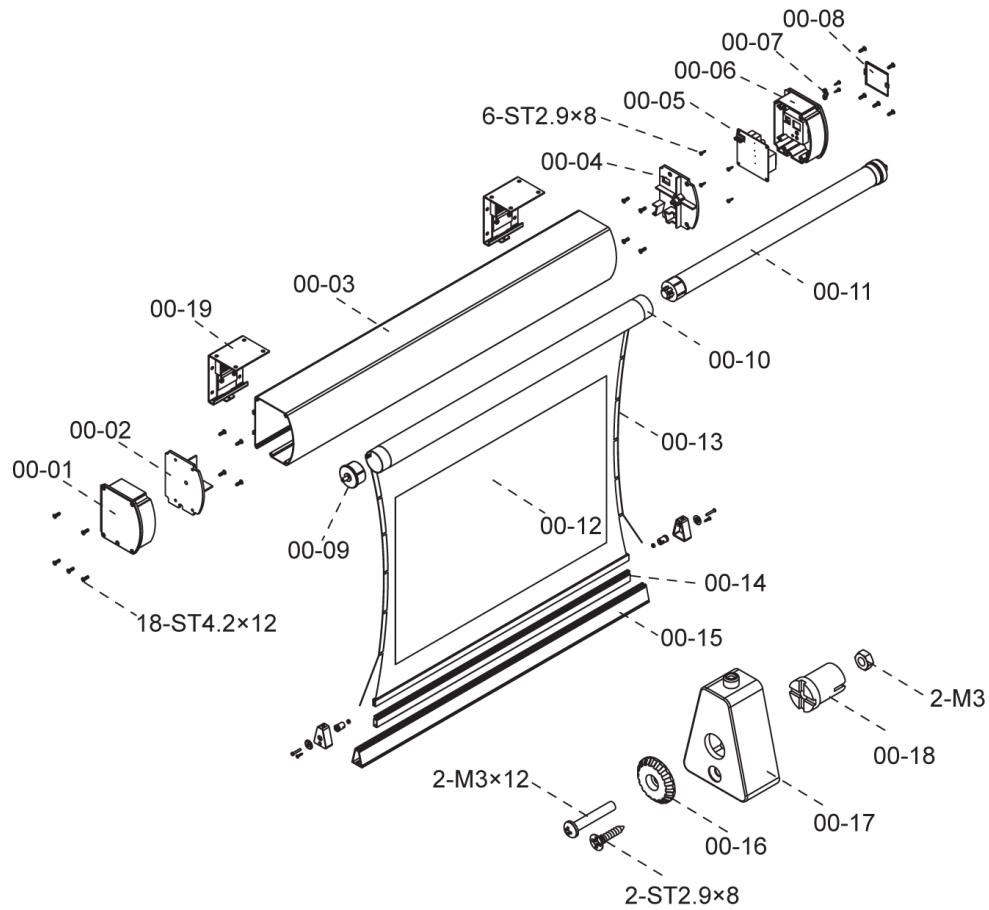
Safety Guide

1. When assembling, do not stand right under the screen. Expansive bolts should be firmly punched and fixed into the wall or ceiling.
2. Have two people present when installing the screen.
3. Be sure the ground wire is connected with power cable to avoid electric shock.
4. Keep screen fabric away from the high temperatures to avoid permanent material deformation.

Titan Tab Tension Schematic



Exploded View



- | | | | |
|-------|----------------------|-------|-----------------|
| 00-01 | LEFT END CAP | 00-11 | TUBULAR MOTOR |
| 00-02 | LEFT FITTING HOLDER | 00-12 | SCREEN FABRIC |
| 00-03 | SCREEN HOUSING | 00-13 | CORD |
| 00-04 | RIGHT FITTING HOLDER | 00-14 | ROUND BAR |
| 00-05 | RECIEVER BOARD | 00-15 | PULL BAR |
| 00-06 | RIGHT END CAP | 00-16 | ADJUSTING WHEEL |
| 00-07 | WIRE GUIDE PLATE | 00-17 | RUBBER END CAP |
| 00-08 | COVER | 00-18 | WIND ROD |
| 00-09 | MORTISE | 00-19 | BRACKET |
| 00-10 | ROLLER | | |

Operating Notes

1. Do not run the screen continuously for more than 5 minutes, the motor will shut down after more than five minutes of continuous use to prevent overheating
2. Unplug the screen when screen is not to be used for an extended period
3. Check and replace battery if remote stop working
4. Do not pull on control wire to support to prevent screen malfunction and electric shock
5. Never disassemble the limit switch

Control Panel

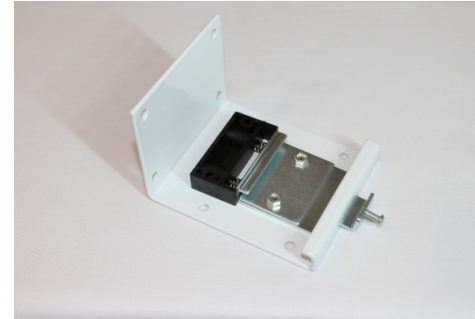
1. The upright position for the control wall panel is shown in the picture. The cable should come out from the bottom of the control wall panel.
2. The button closest to the IR sensor is the up button.
3. The second button from the top is the stop button.
4. The last button from the top is the down button



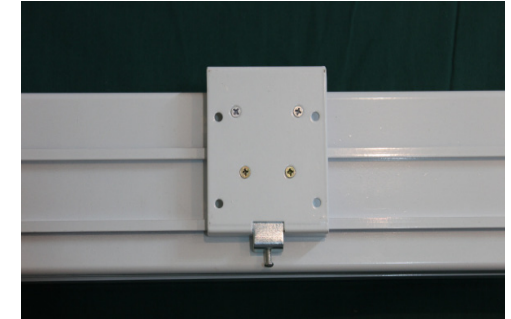
IR Sensor

Installation

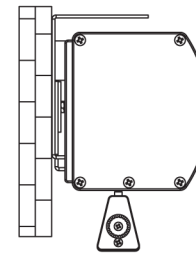
1. Unpack the screen carefully, check if the screen is in good condition
2. Be sure the ground wire is connected with power cable to avoid electric shock
3. Find the wall or ceiling placement for the screen mounts, make sure everything is level
4. Attach the screen mounts to the wall or ceiling, then mate the mount into the screen railing to lock the screen into place
5. Refer to the diagrams below for more details



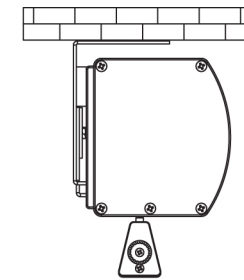
Screen mount



Screen mount mated to screen rail



FIX THE SCREEN TO THE WALL

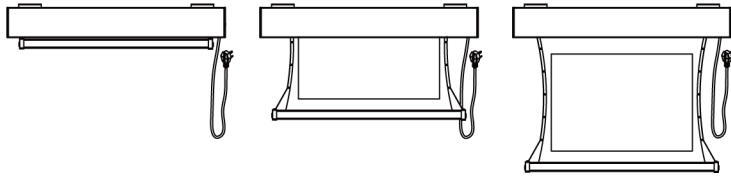


FIX THE SCREEN TO THE CEILING

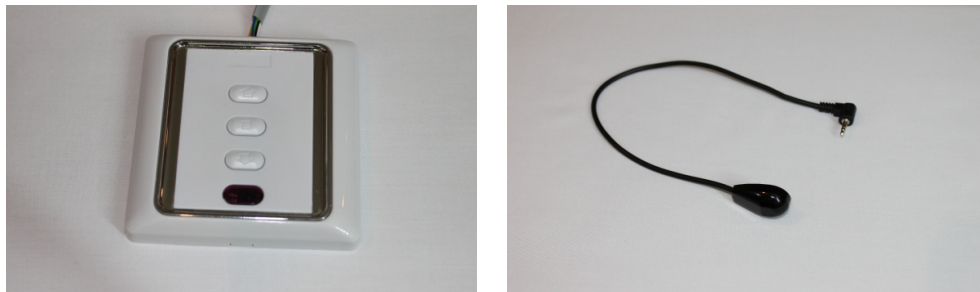
Installation Notes

1. Install the screen away from direct sunlight, keep screen material exposure to UV to a minimum
2. Install in a room without excess humidity
3. Keep screen away from devices (heaters, etc.) that cause large changes in temperature and humidity
4. Handle screen with care, avoid vibrations and drops

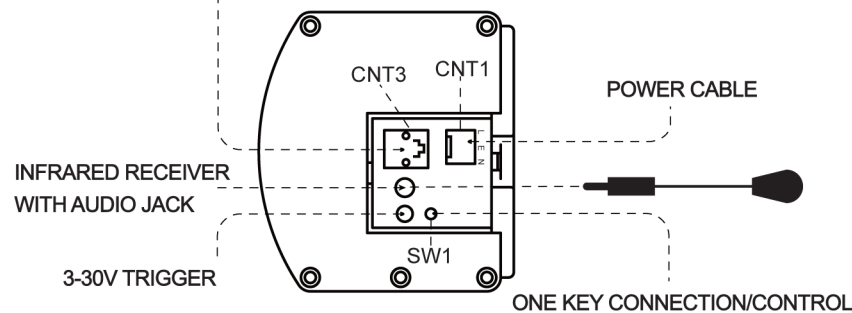
Operating Instructions



1. Plug in power supply
2. For Switch control: Plug in Switch box into CNT3. Press up button for screen to go up, press down button for screen to extend and press the stop button for the screen to stop.
3. For RF Remote and IR Remote: point the handset to the screen housing and press the (down, up or stop button).
4. To use infrared remote, plug the IR receiver into the IR receiver jack (shown in diagram below)
5. For 3V-30V Trigger: plug in trigger cable from projector to the trigger jack (shown below)
6. For SW1 control: press the SW1 button to operate screen when remote/wall panel is not present
7. Before rolling up the screen, please make sure the screen surface is free of foreign matter.



RS485/SWITCH BOX WITH CRYSTAL PLUG



4

Setting the Limit Switches

1. The Limit Switch Controls which is in the right end of the screen is used to adjust how far the screen goes down and up.
2. Looking at the photo, you will see a hexagonal screw head which mates with the end of the green plastic wand given.
3. There are two hexagonal screen heads, one is in front of the other. The one closer to the front casing of the screen adjusts the up limit switch (yellow screw head). The screw head closer to the back of the screen adjusts the down limit switch (gray screw head).
4. To adjust the limit switches please use the green adjusting wand that's included with your screen.
5. Slide the adjusting wand into the end of the screen as shown by the picture. The end of the wand needs to go into the screw head of the limit switch you want to adjust.
6. Adjusting for the up limit position: When the screen retracts and you want to change the position of where the bottom bar stops, use the adjusting tool to turn the switch in the CW direction to make the screen drop more, and turn it in the CCW direction and the screen will rise more into the casing. To see the result of the adjustment, extend the screen all the way and then retract the screen to see the new up position.
7. Adjusting for the bottom limit position (how far the screen extends): When the screen extends and you want to change the position of where the bottom bar stops, use the adjusting tool to turn the switch in the CCW direction to make the screen extend further. Turning the switch in the CW direction will retract the screen. To see the result of the adjustment, extend the screen all the way and note the new bottom position. Repeat adjustments as required.
8. Caution: Do not over adjust the up limit switch in the up direction as that will cause the screen to retract too far into the casing and damage the motor. Do not over adjust the down limit switch in the down direction as that will also damage the screen.



5



TitonTab Tension Screens User Manual

