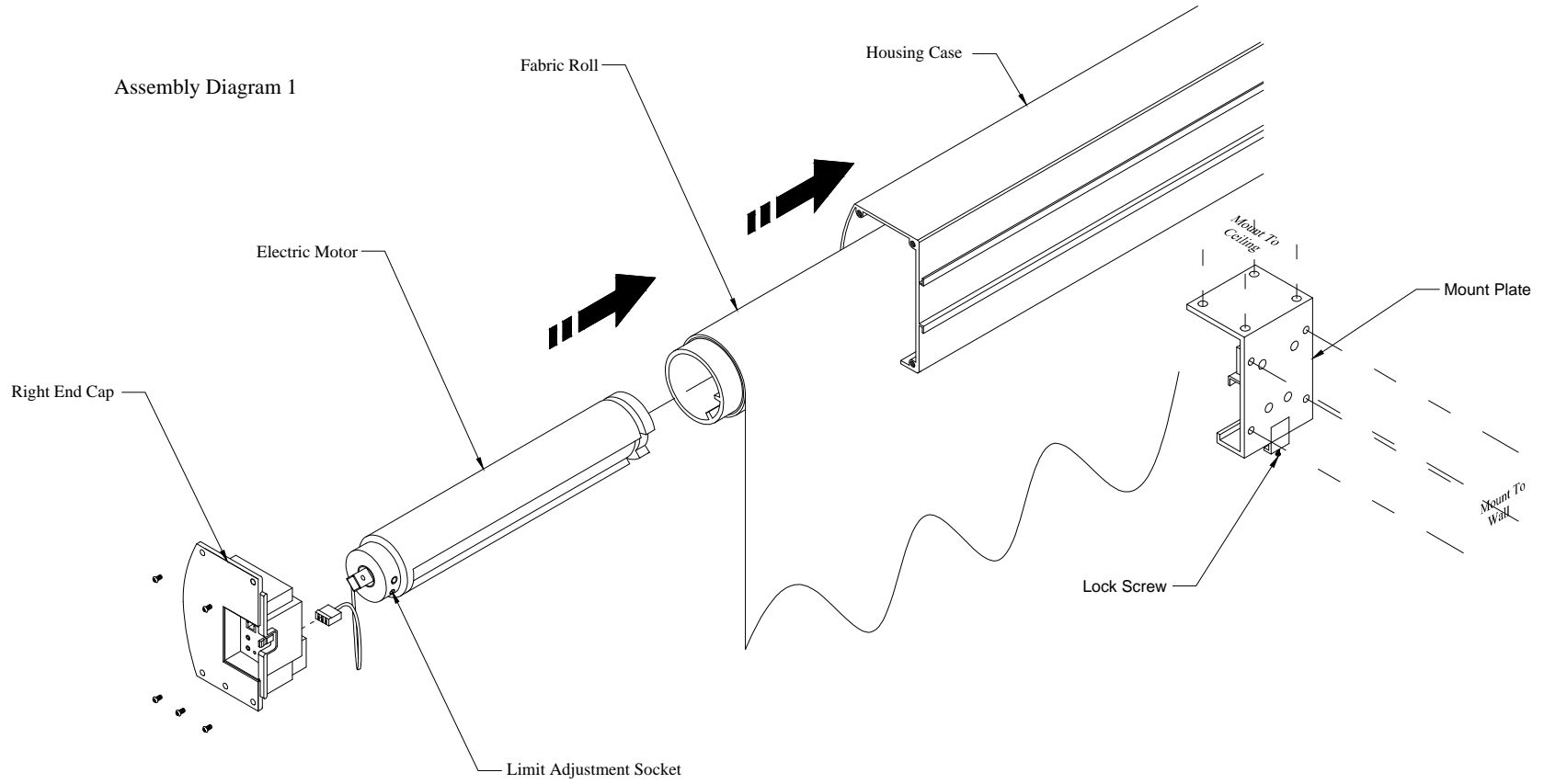
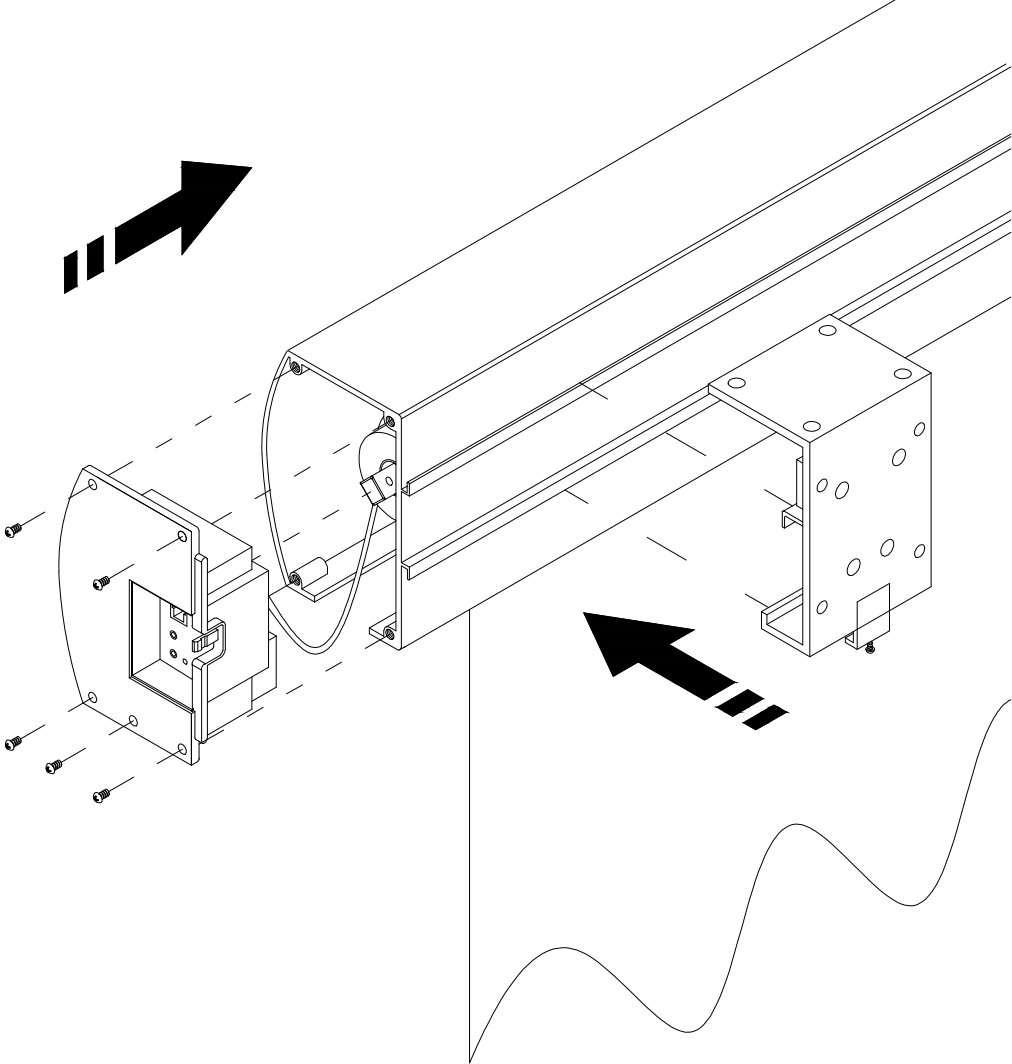


Assembly Diagram 1



Assembly Diagram 2



Assembly Diagram 3

