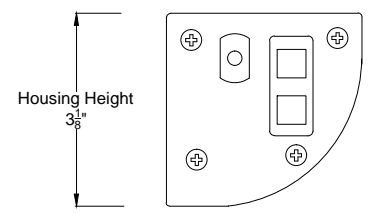
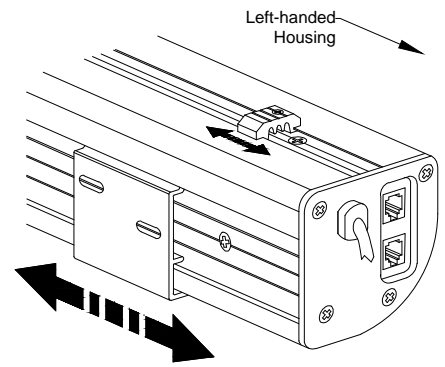


ELUNEVISION	
Title: Luna Motorized Screen 106" 16:9	
Product model: EV-E-106-1.2	
Scale: 1:10	Page 1 of 2

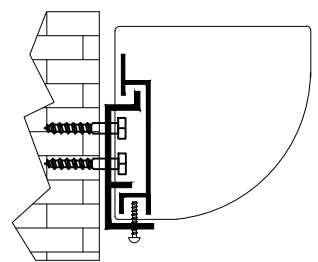
Left Housing View



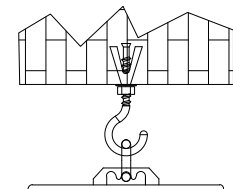
Left Side Detail



Mounting Diagrams



Wall Mounting



Ceiling Mounting



Title: Luna Motorized Screen 106" 16:9

Product model: EV-E-106-1.2

Scale: 1:1

Page 2 of 2